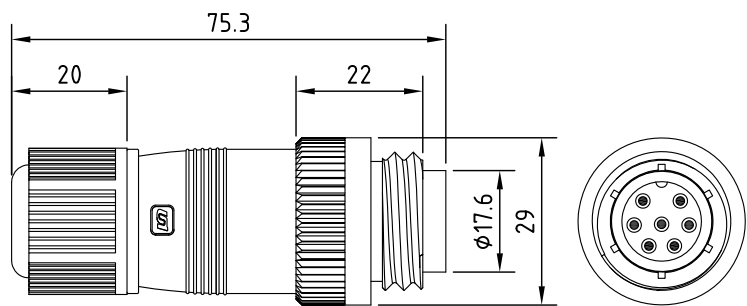
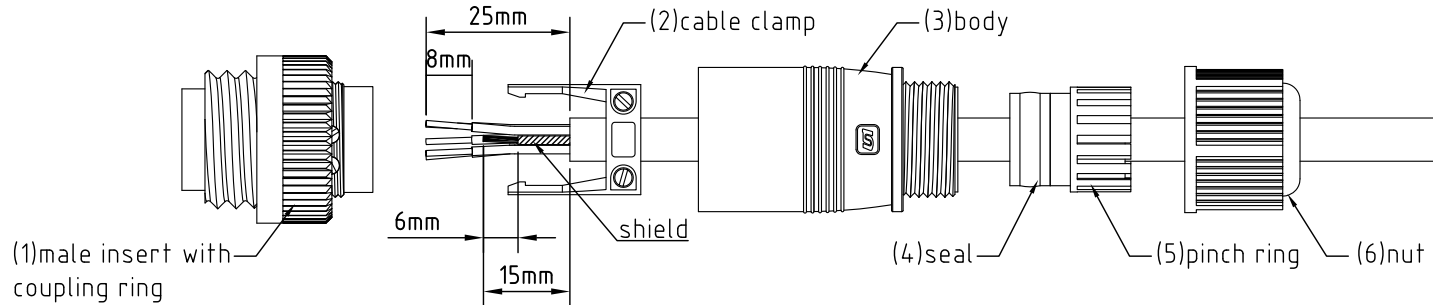


Part No.: UT-3398-P-07-X

seal  
 1-cable OD:7.1-9mm  
 2-cable OD:4-7mm  
 3-cable OD:9.1-10.5mm

| REV. | Description     | Date      |
|------|-----------------|-----------|
| 1    | spec. revise    | 2012/5/28 |
| 2    | upgrade drawing | 2014/2/27 |



RoHS

### Specification

#### General Characteristics

Locking system: Screw  
 Termination: Screw  
 Shell protection: IP67  
 Wire gauge: 22-16

#### Electrical Characteristics

Rated Current: 10A  
 Contact Resistance: <10mΩ  
 Insulation Resistance: >10MΩ

| 7    | terminal    | gold plated brass | 7    |
|------|-------------|-------------------|------|
| 6    | nut         | PA (UL 94V-0)     | 1    |
| 5    | pinch ring  | PA (UL 94V-0)     | 1    |
| 4    | seal        | TPR               | 1    |
| 3    | body        | PA (UL 94V-0)     | 1    |
| 2    | cable clamp | PA (UL 94V-0)/SUS | 1    |
| 1    | male insert | PA (UL 94V-0)     | 1    |
| Item | Description | Material          | Q'TY |



**Unicable Co., Ltd. 國陽電業有限公司**

5F., No. 111-33, Sec. 4, San Ho Road, San Chung City, Taiwan, R.O.C.

http://www.unicable.com.tw TEL:+886-2-2286-2122 FAX:+886-2-2286-1010

DATE

2016/10/7

PART NO.

UT-3398-P-07

DWN

GINA

REV.

2

CHK

UNIT

MM

ITEM

In-Field Installable Circular Connector